

# MOD 180-CFE

## PRINTING

THERMOPRINTING AND REACTIVATION  
OF DIRECT-TO-TEXTILE INKS



### IT

Innovativa e versatile calandra da stampa (mobile su ruote) adatta sia al trasferimento con carte sublimatiche, sia alla riattivazione degli inchiostri stampati direttamente sui tessuti a mezzo plotters.

### GB

Innovative and versatile printing calender (movable on wheels) suitable for both the transfer of dye sublimation inks from paper to materials to be printed, and for the reactivation of inks directly printed on textile by means of plotters.



**MONTI ANTONIO®**

STANDARD & CUSTOM HEATING SOLUTIONS

# TECHNICAL DATA

## MOD 180-CFE

### PRINTING

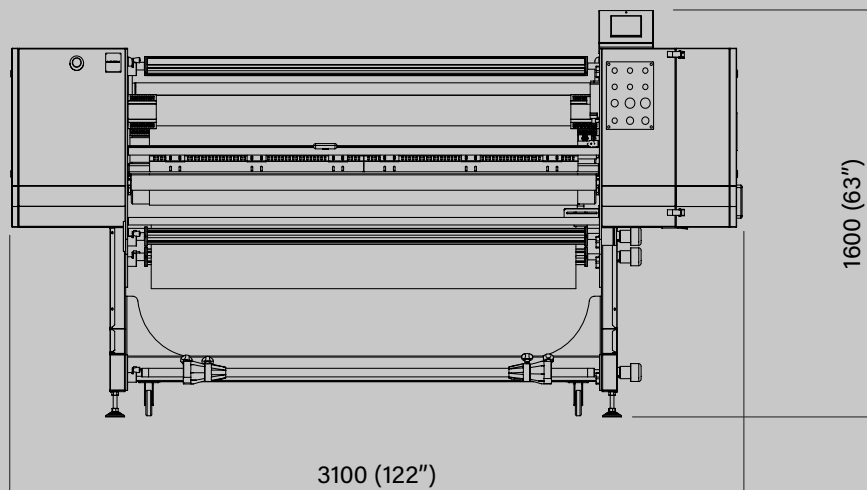
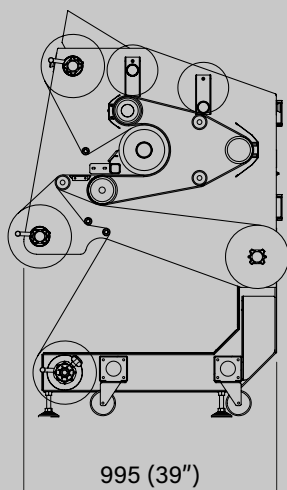


Tavola cilindro / Cylinder width	mm	1800 (70.87")
Tavola utile / Working width	mm	1650 (65")
Velocità meccanica / Mechanical speed	mt/min	0.1 ÷ 1.7
Potenza elettrica installata / Installed electric power	Kw	10
Consumo medio / Average consumption	Kw/h	6
Diametro cilindro / Cylinder diameter	mm	200 (7.87")
Peso netto macchina con tavolo anteriore / Net weight machine with front table	Kg	920



I DATI E LE CARATTERISTICHE SONO PURAMENTE INDICATIVI E SOGGETTI A VARIAZIONI SENZA OBBLIGO DI PREAVVISO.  
 LE FOTO INSERITE SONO IMMAGINI STOCK E POSSONO INCLUDERE OPTIONAL NON COMPRESI DI SERIE.  
 THE DATA AND TECHNICAL FEATURES ARE PURELY INDICATIVE AND SUBJECT TO CHANGES WITHOUT PRIOR NOTICE.  
 PICTURES SHOWN ARE STOCK IMAGES AND MAY INCLUDE OPTIONS NOT INCLUDED AS STANDARD.

©1959-2020 Monti Antonio S.p.A.  
 All rights reserved.



INNOVATION  
 SPEED  
 FLEXIBILITY  
 PROJECT&DESIGN  
 INSTALLATION AND ASSISTANCE

Monti Antonio S.p.A.  
 Head Office: via dell'Elettronica n°5, 36016 Thiene (VI) Italy  
 Operation and Administration: via della Fisica n°6, 36016 Thiene (VI) Italy  
 T. +39 0445 364619 +39 0445 364707 - sales@montiantonio.com  
[www.montiantonio.com](http://www.montiantonio.com)